

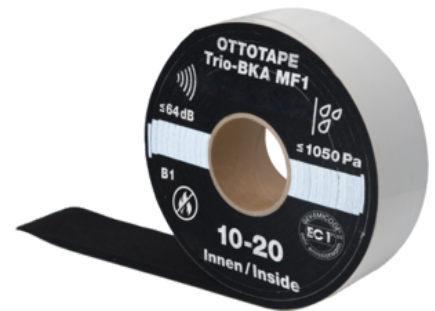
OTTOTAPE Trio-BKA MF1

The multifunctional sealing tape for RAL assembly

Polyurethane foam with impregnation

For indoor and outdoor application

BKA MF1



Characteristics

- ▶ Polyurethane foam, saturated with modified acrylic resin impregnation
- ▶ Impregnated multifunctional sealing tape self-adhesive on one side for fast mounting
- ▶ Stretches inside the joint to its final thickness
- ▶ Driving rain resistant, thermal insulating and airtight product
- ▶ Tighter inside than outside, according to the current state of technology
- ▶ Can be covered with plaster and painted
- ▶ Complies with building material class B1 "hardly inflammable" in accordance with DIN 4102-1
- ▶ Resistant to UV light and moisture exposure

Fields of application

- ▶ Structural connection according to the window and door mounting regulations
- ▶ For sealing of joints around windows and doors indoors and in exterior areas
- ▶ For sealing in the parapet area, we recommend the narrower OTTOTAPE Trio FBA or OTTO window tapes.

Standards and tests

- ▶ Complies with the guidelines of RAL assembly
- ▶ Multifunctional sealing tape according to DIN 18542 - MF1
- ▶ Suitable for applications according to IVD instruction sheet no. 24+26+35 (IVD = German industry association sealants)
- ▶ EMICODE® EC 1 Plus - very low emission

Technical properties

Colour	black
Watertightness against driving rain (according to EN 1027) [Pa]	1050
Thermal conductivity according to DIN EN 12667 [W/mK]	$\lambda = 0,0533$
Airtightness according to DIN EN 1026 [$m^3/(h \cdot m \cdot [daPa] \cdot n)$]	$a < 0,1$
Water vapour diffusion equivalent air layer SD [m]	0,05
Building material class according to DIN 4102	B1
Temperature resistance from/to [°C]	- 20 / + 80
Processing temperature from/to [°C]	0 / + 35
Shelf life at 20 °C/50 % RH [months]	12 ¹

1) from production

These data are not suitable for the issue of specifications. Please contact OTTO-CHEMIE before issuing specifications.

Hermann Otto GmbH
 Krankenhausstr. 14 | 83413 Fridolfing, Germany
 ☎ +49 8684 908-0 | @ info@otto-chemie.de
 www.otto-chemie.com

Application advice
 ☎ +49 8684 908-4300
 @ tae@otto-chemie.de

OTTO
 CHEMIE
 SEALING & BONDING

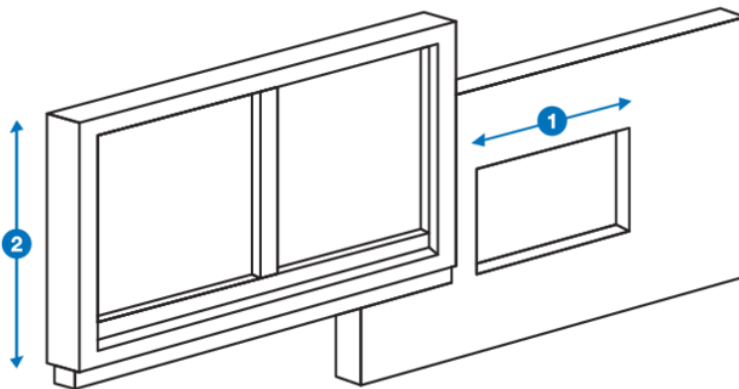
Pretreatment

The reveal must be cleaned of dirt and mortar residues

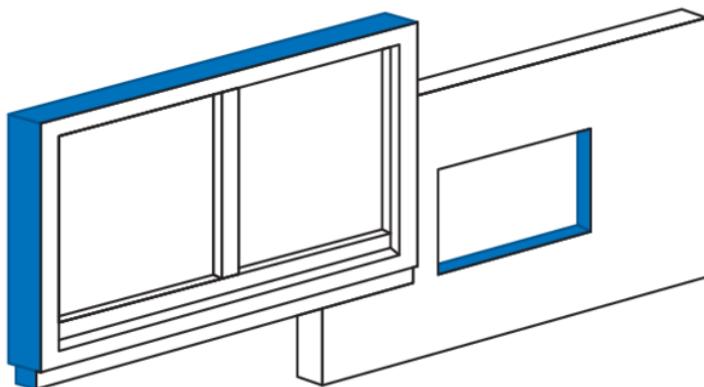
Important information

The expansion behaviour of the tape depends on the joint and ambient temperature. At higher temperatures, the tape expands relatively quickly and must be used quickly. Therefore, storage of the tape at temperatures above + 20 °C or directly in the sun for a longer period of time should be avoided. The tape should also be stored in a cool place on the construction site. At lower temperatures, we recommend storing the material at approx. + 20 °C for at least 24 hours before application. The expansion of the built-in tapes can be accelerated by heating. At temperatures below + 8 °C, the tape should also be kept at room temperature on site to avoid delays in the expansion of the installed tapes. EMICODE® is a registered trademark of GEV e. V. (Düsseldorf, Germany)

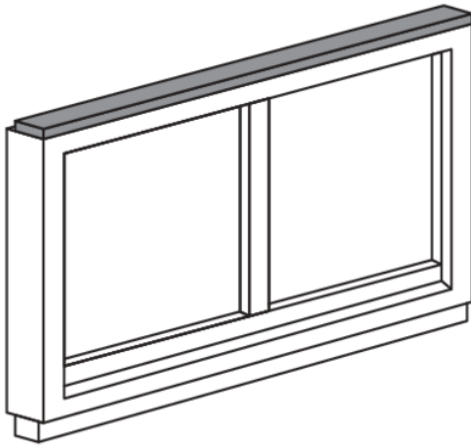
Processing information



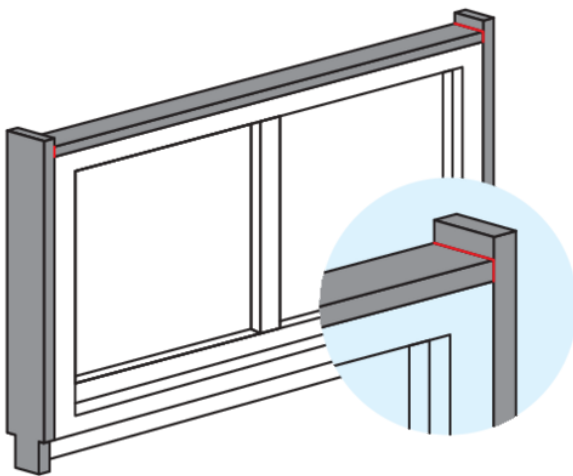
Step 1: Determination of the joint width and the joint area. To do this, measure the masonry opening and window frame. The masonry must have a smooth finish and the resulting joint width must match the joint area of the selected multifunctional sealing tape all around.



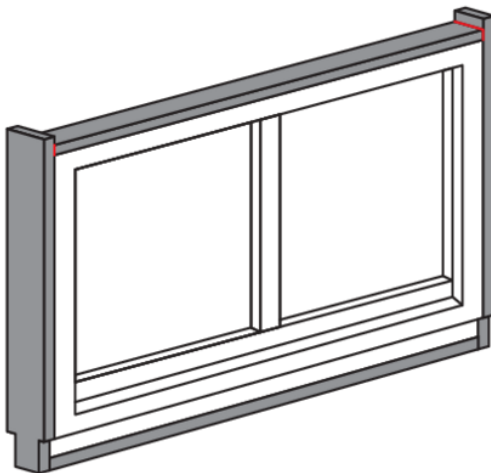
Step 2: Cleaning the window frame and reveal from dirt, dust or other impurities.



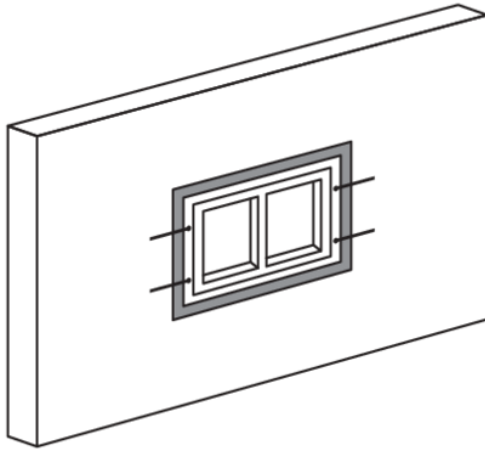
Step 3: Stick the OTTOTAPE Trio-BKA MF1 on the top of the frame. Here the tape is to be cut to the exact length of the top of the frame.



Step 4: Stick OTTOTAPE Trio-BKA MF1 onto the lintel and the balustrade, leaving a small lateral overhang (adhesive joint). Cutting out/adjusting the tape at the window connection joint or other substructure profiles.



Step 5: Use OTTOTAPE Trio-FBA for the window connection joint and stick it on.



Step 6: Place the window frame into the opening, adjust and fasten.

Application information

OTTOTAPE Trio-BKA MF1 replaces three sealing products in the window connection joint with one product, provided the joint width is within the expansion range of the tape, whereby joint widths of 5 to 20 mm can be covered with only three tape dimensions. The remaining joint width is determined by measuring the window frames and the reveal opening. This is necessary in order to select the correct tape dimension and to determine the necessary projection for the cuts on the lintel and on the two sides. Cut open the wrapped liner of the tape, unroll and store for resealing if necessary. Then cut off the first 5 cm of the tape and discard. Now stick the tape to the window frame without pulling. Make sure that the tape is positioned correctly (the inside of the room is the side where the tape is printed).

Due to the many possible influences during and after application, the customer always has to carry out trials first.

Packaging

Frame installation depth	Tape width	Functional range / joint width	Order unit (OU)	Packaging unit (PU)	Order code
70 mm	64 mm	6- 15mm	1 roll, each 8 m	7 rolls, each 8 m	BKA-70/6-15
70 mm	64 mm	10-20 mm	1 roll, each 6 m	7 rolls, each 6 m	BKA-70/10-20
80 mm	74 mm	6- 15 mm	1 roll, each 8 m	6 rolls, each 8 m	BKA-80/6-15
80 mm	74 mm	10-20 mm	1 roll, each 6 m	6 rolls, each 6 m	BKA-80/10-20
90 mm	84 mm	6- 15 mm	1 roll, each 8 m	5 rolls, each 8 m	BKA-90/6-15
90 mm	84 mm	10-20 mm	1 roll, each 6 m	5 rolls, each 6 m	BKA-90/10-20

Disposal

Product residues can be disposed of along with industrial waste as mixed plastics. Packaging materials (cardboard boxes, foils) are recyclable and hence should be recycled.

Warranty information

The above information and our technical application advice, whether verbal, in writing or by means of tests, are provided to the best of our knowledge, but are non-binding, including with regard to any third-party property rights. The information in this publication does not exempt the processor from carrying out their own tests on our products with regard to their suitability for the intended processes and purposes. The application, use and processing of our products and the products manufactured on the basis of our technical application advice are beyond our control and are therefore the sole responsibility of the processor. If the application for which our products are used is subject to an official authorisation requirement, the user is responsible for obtaining these authorisations. We reserve the right to adapt the product to technical progress and new developments. For the rest, we refer to our General Terms and Conditions, in particular with regard to any liability for defects. You can find our GTC at www.otto-chemie.de.